

WE / WEP

Slim Wall-Mount Signal Tower



LED

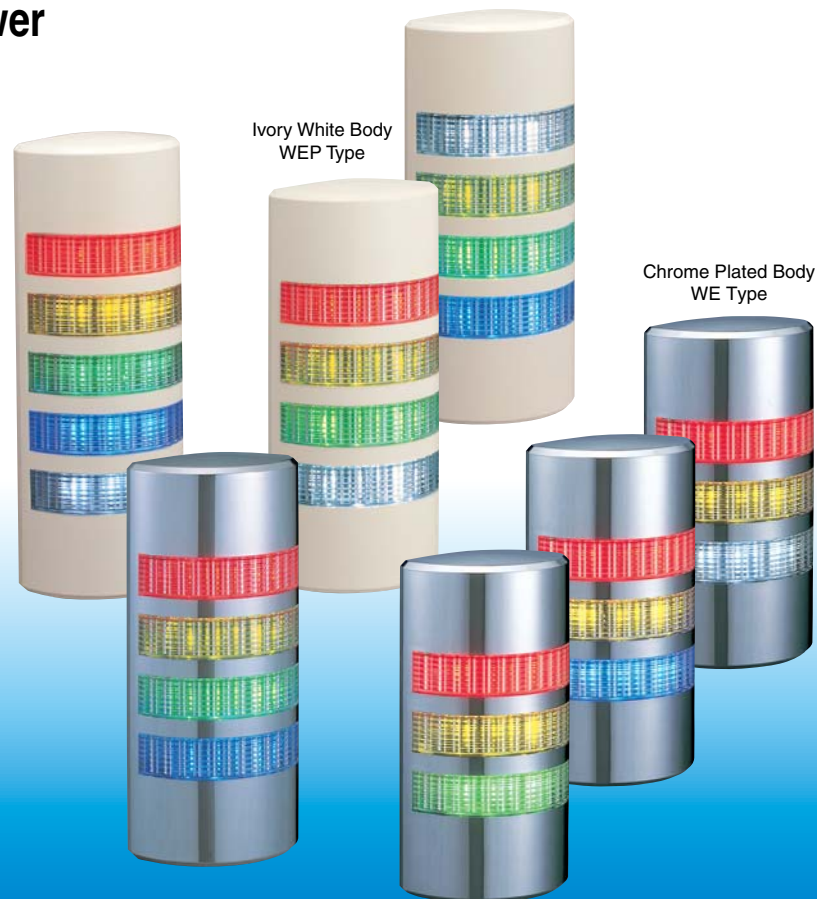


90dB at 1m (FB type)

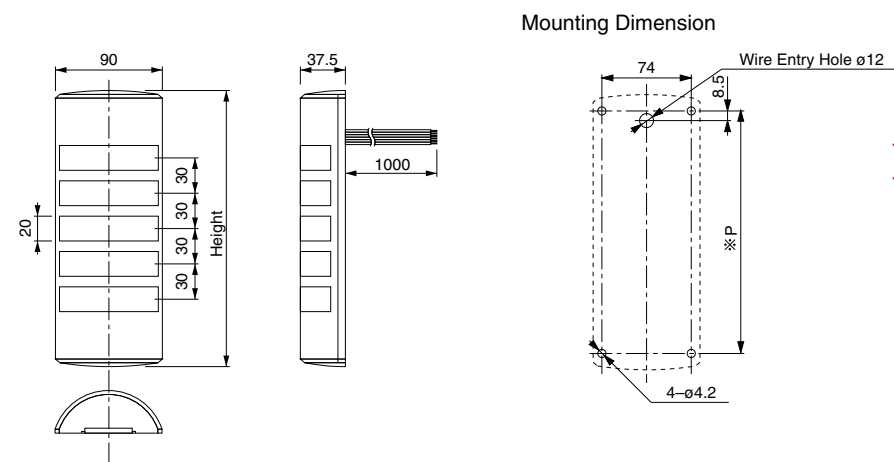
Electronic Sound 2 (FB type)

IP65 (FB type: IP54)

NPN/PNP Open collector



Dimensions



Height (mm)
3 Lights: 176
4 Lights: 206
5 Lights: 236

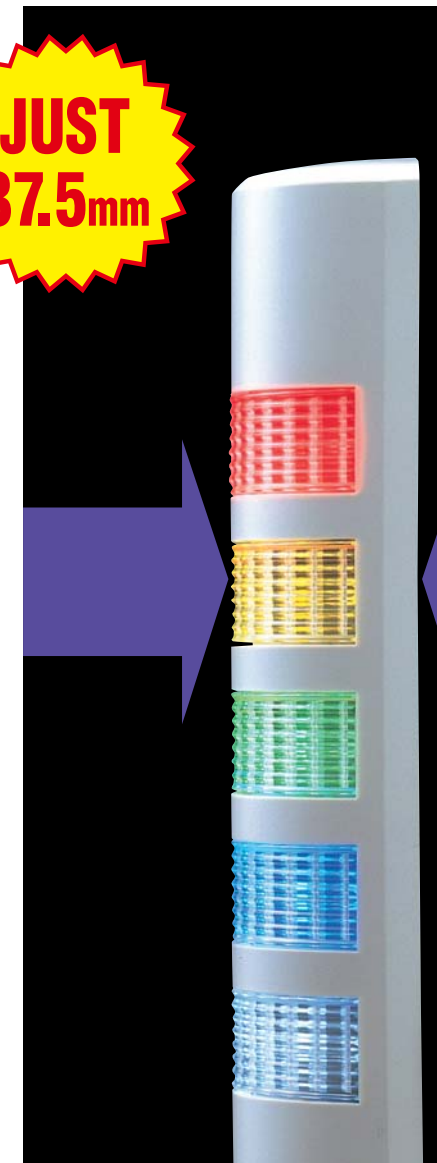
※ P (mm)
3 Lights: 150
4 Lights: 180
5 Lights: 210

(mm)



IP65 construction is safe for installation in damp locations, dusty factories and outdoor environments.

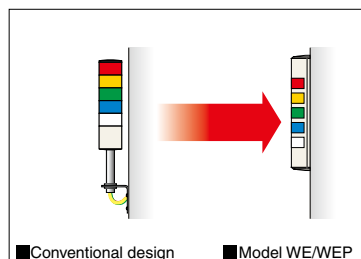
JUST 37.5mm



Ultra slim half-moon shaped Signal Tower offers seamless integration with most equipment.

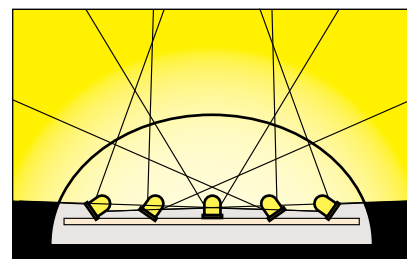
- Clear Vertical Cut Lens: For enhanced illumination over a wide perspective.
- FB type: Built-in audible alarm with 90dB at 1m.
- Installation: Vertical and horizontal.
- Body Color: Chrome plated or ivory white.
- Lens: Superior impact and heat resistant polycarbonate resin for superior durability and light transmission.
- NPN/PNP Compatible: Direct connection to PLC (24V DC ONLY)
- Lighting Pattern: Flashing and Continuous.
- Dust-proof and waterproof IP65 (except for FB type: IP54).
- UL type: Available as special order (E215660)
- Available Colors: Red, Amber, Green, Blue, Clear/White.

37.5 mm Super-thin design !



Patlite has perfected a 37.5mm-thin design that significantly enhances integration with the equipment as a built-in signal system.

New and exclusive LED lighting design (patent pending) PAT.P



Patlite has created a revolutionary lighting design (patent pending) in which multiple LEDs project light across a broad peripheral area, ensuring equal intensity at the sides as well as the front. This design, with its side-projection technology, is a unique achievement in signal light design.

Wiring Diagram

Note: See page 128 for wiring diagram

WE / WEP type

Number of stacks	Model	Rated Voltage	Power Consumption	Mass
3 Lights	WE(P)-302	24V AC/DC	1.7W	0.26kg
	WE(P)-302FB	24V AC/DC	2.7W	0.30kg
4 Lights	WE(P)-402	24V AC/DC	2.0W	0.31kg
	WE(P)-402FB	24V AC/DC	3.2W	0.35kg
5 Lights	WE(P)-502	24V AC/DC	2.7W	0.31kg
	WE(P)-502FB	24V AC/DC	3.7W	0.35kg

FB type: approx 60 flashes per minute

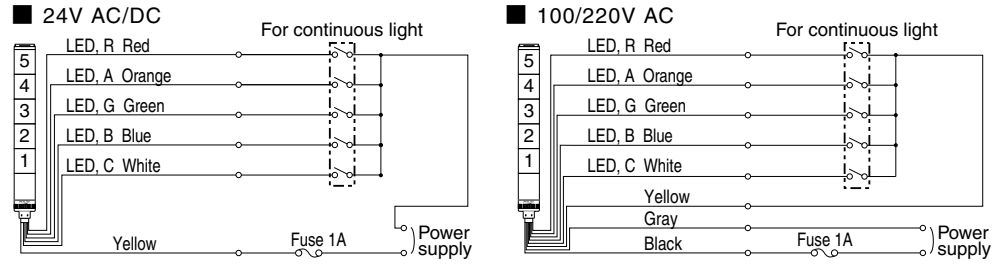
How to order

WEP-302FB-RYG	
Body color WE: Chrome plated WEP: Ivory white	Color R: Red Y: Amber G: Green B: Blue C: Clear/White Top to bottom
Stacks 3-5	Type Blank: Continuous light FB: Continuous or flashing light with audible alarm
Rated Voltage 02: 24V AC/DC	

SE-D Wiring Diagram

[SE(F)(B)(W)-□□□D Model]

SE-D [Continuous type]



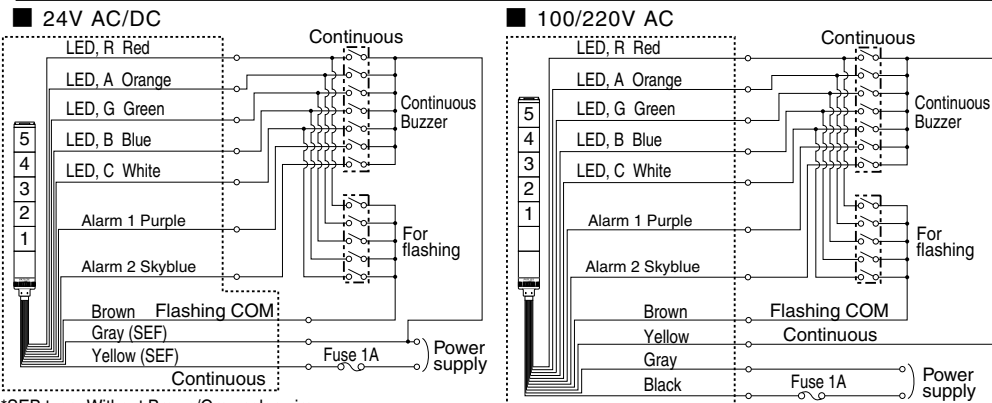
Wire color

Color of LED unit	Color of Lead Wire
Red	Red
Amber	Orange
Green	Green
Blue	Blue
Clear	White

Alarm

Alarm	Color of Lead Wire
Alarm 1	Purple
Alarm 2	Skyblue

SE-D [Flashing type]



*SEB type: Without Brown/Gray color wire.
*SEF type: Without Purple/Skyblue color wire.

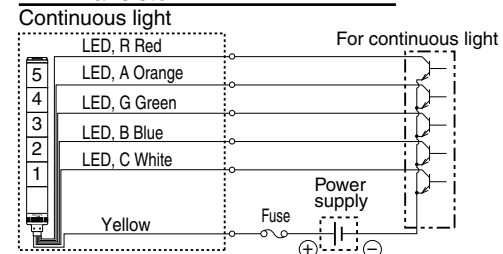
*SEB type: Without Brown/Gray color wire.
*SEF type: Without Purple/Skyblue color wire.

Signal line voltage and current per LED module

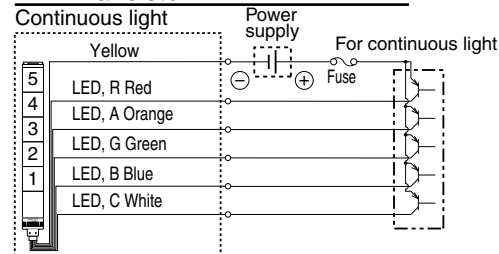
Rated Voltage	Signal Line Voltage	LED		Alarm	
		Signal Line Current	Signal Line Current	Inrush Current	Inrush Current
12V AC/DC	12V AC/DC	R,A:100mA	G,B,C:80mA		
24V AC/DC	24V AC/DC	R,A: 50mA	G,B,C: 40mA	Max 40mA	150mA
100V AC/220V AC	AC 24V				

24V DC NPN(PNP) Transistor

NPN Transistor



PNP Transistor



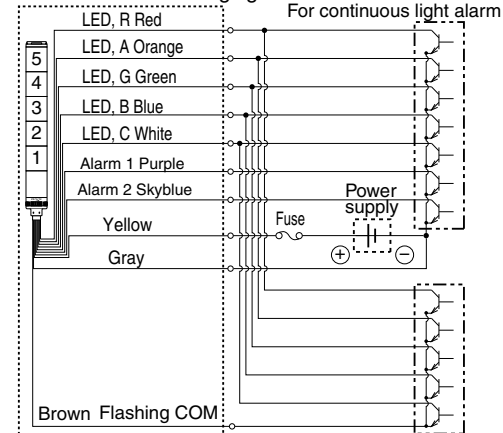
Capacity of Transistor

Model	Transistor (NPN or PNP)
Current Capacity	$I_c \geq 0.1A$ (LED unit) $I_c \geq 300mA$ (Alarm)
Withstand Voltage	$V_c \geq 35V$
Current Leak	$I_L < 0.1mA$

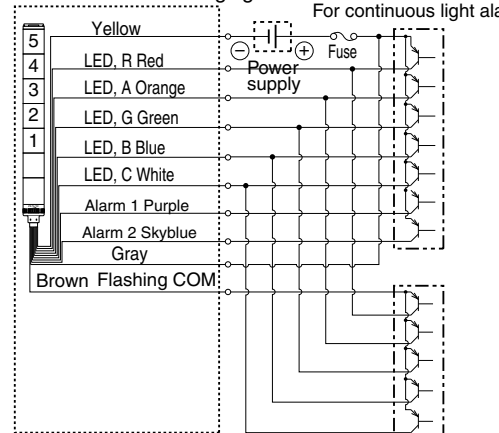
Fuse for outer contact protection

Voltage	Fuse
All voltage type	1A

Continuous or flashing light



Continuous or flashing light



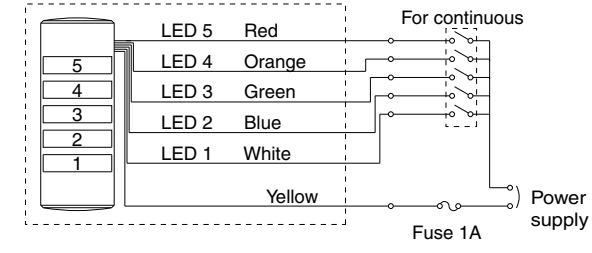
*SEB type: Without Brown/Gray color wire.

*SEB type: Without Brown/Gray color wire.

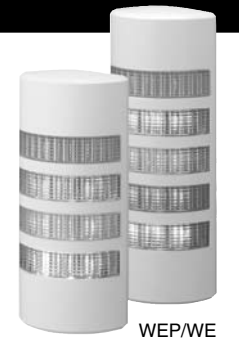
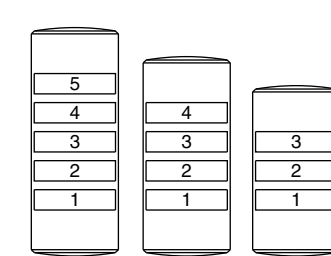
WEP/WE Wiring Diagram

[WEP/WE-□□□(FB) Model]

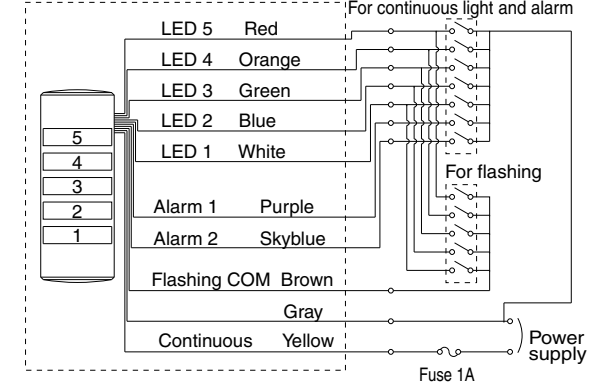
Continuous light



Wire color



Continuous or flashing light with audible alarm



Light

Wire color	5 Lights	4 Lights	3 Lights
Red	5	4	3
Orange	4	3	2
Green	3	2	1
Blue	2	1	-
White	1	-	-

Alarm

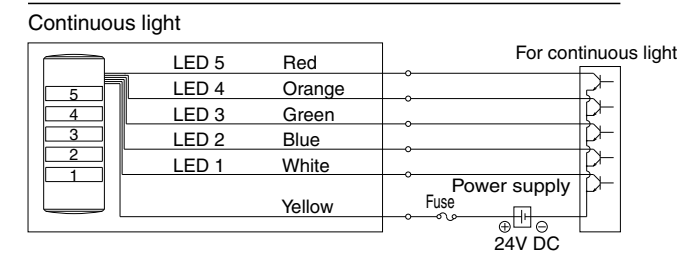
	Wire color	Sound
Alarm 1	Purple	Short pips
Alarm 2	Skyblue	Long beeps

Signal line voltage and current per LED module

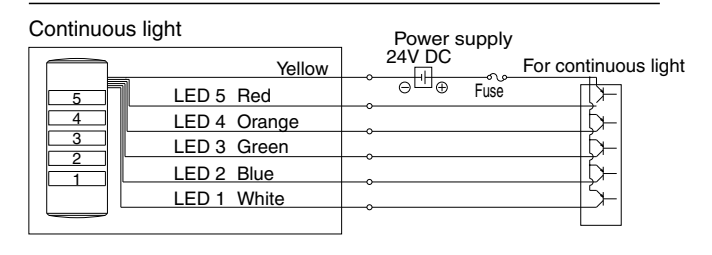
Model	Rated Voltage	Signal Line Voltage	LED		Alarm	
			Signal Line Current	Signal Line Current	Inrush Current	Inrush Current
WEP/WE	24V AC/DC	24V AC/DC	30mA	25mA	40mA	250mA

24V DC NPN(PNP) Transistor

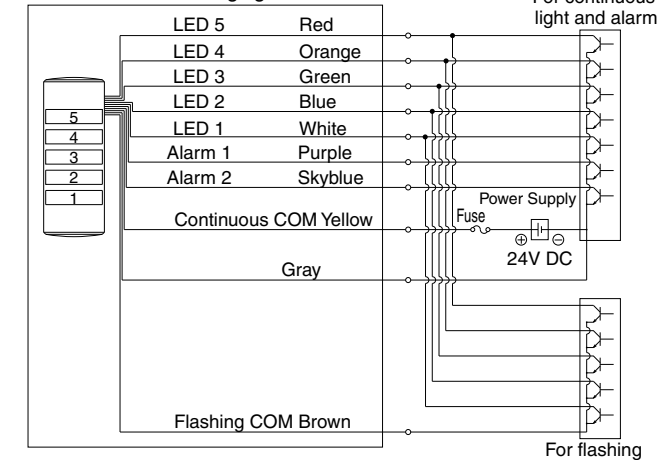
NPN Transistor



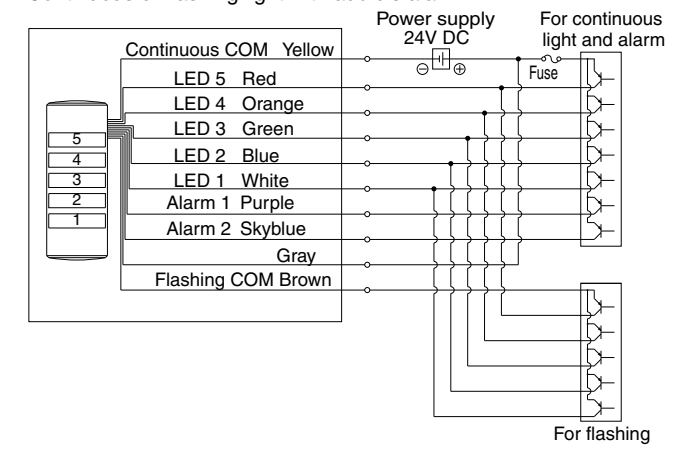
PNP Transistor



Continuous or flashing light with audible alarm



Continuous or flashing light with audible alarm



Type	Transistor (NPN or PNP)	Voltage	$V_c \geq 35V$
Current Capacity	$I_c \geq 0.1A$ Buzzer 300mA	Current Leak	$I_L \leq 0.1A$

[Fuse rate]

1A
