

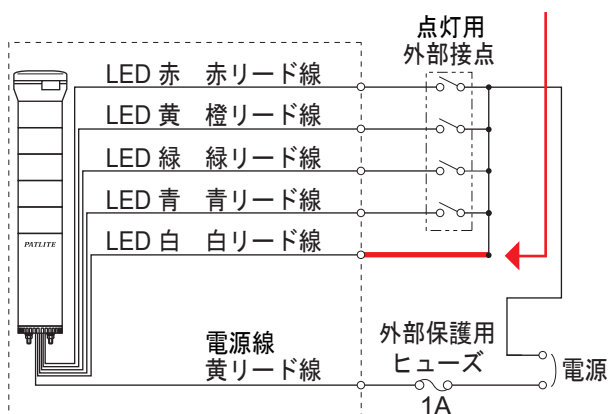
**設置前に必ず内容
をご確認ください**

送信機への電源供給方法について

- ① 送信機を動作させるためには、積層信号灯の信号線に電圧を常時印加する必要があります。
- ② 積層信号灯で使用していない信号線を送信機の電源用にご使用ください。工場出荷時設定の場合、積層信号灯の白色信号線に電圧を印加しますと、送信機へ電源が供給されます。
- ③ 下記が配線例になります。

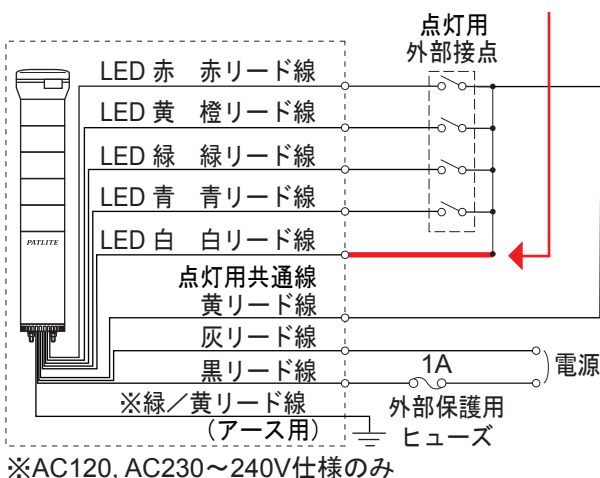
■AC/DC 24Vタイプ

電源供給に割り当てた信号線(下図は白)と電源線(黄)に電圧を印加します。



■AC 100/120/220/230~240Vタイプ

電源供給に割り当てた信号線(下図は白)と点灯用共通線(黄)を接続します。



お願い

積層信号灯の点滅共通線は、使用しないでください。

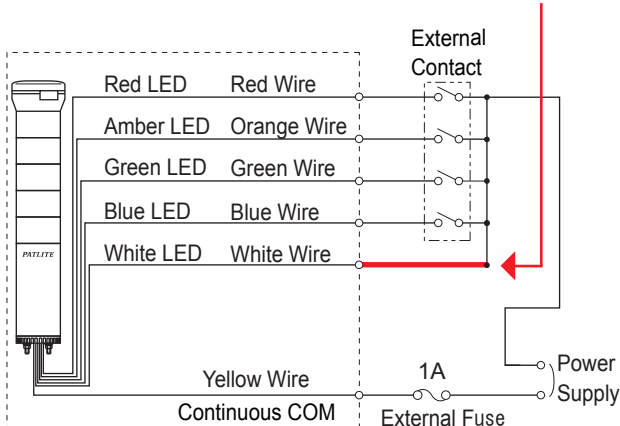
Please read prior to installation.

Connecting the power supply to the transmitter

- 1) A voltage has to be connected to the transmitter by connecting it to the signal line of a Tiered Signal Tower.
- 2) Select an unused Signal Line as the power source for the AirGRID Transmitter. The default value is set for the White Wire as the power source for the AirGRID Transmitter.
- 3) The following is a wiring example for the LE and LME Models.

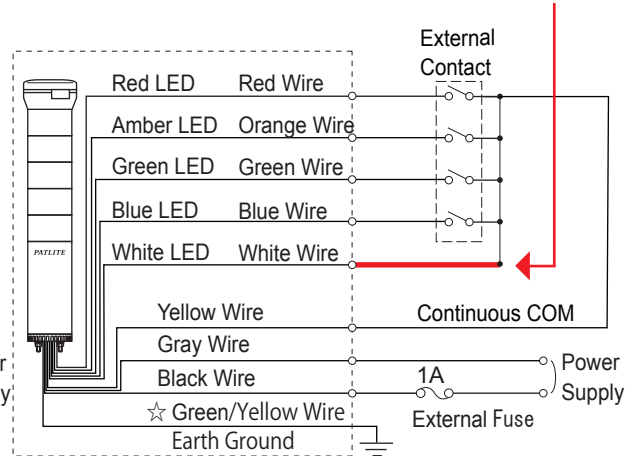
■ 24V AC/DC Type

Voltage is applied to the signal line (the figure indicates the white line) and Signal-Tower source line (yellow wire) which were assigned as the power supply source.



■ 100/120/220/230~240V AC Type

The signal line (the figure indicates the white line) is assigned as the power supply source and the common for lighting (yellow wire) are connected.



☆ 120V, 230 ~ 240V Type Only

Please

Do not use the flashing common wire from the Tiered Signal Tower.